

A CONVENIENT TREE LIFTER

M. W. Day

Superintendent, Dunbar Forest Experiment Station  
Sault Ste. Marie, Michigan

Tree lifters vary greatly from nursery to nursery, and probably most nurserymen feel that their own lifter is best suited for local conditions. The lifter developed at this station is the result of many years' experience with several types of lifters. After two years of use it is considered to be very satisfactory for our set of conditions. This piece of equipment may prove worthy of trial and use at other nurseries. In any event, our lifter may have features of design that can be incorporated in similar equipment elsewhere.

Our lifter is used with an International 300 tractor equipped with quick hitch and torque amplifier. We have been able to lift both seedlings and transplants under most soil moisture conditions with this outfit. The quick-hitch feature permits use of the tractor for other work, and makes it much easier to move the lifter from place to place in the nursery.

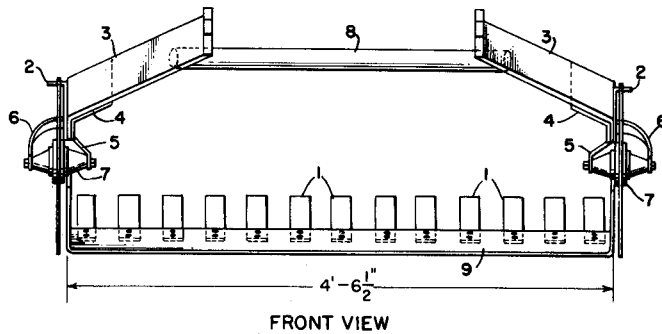
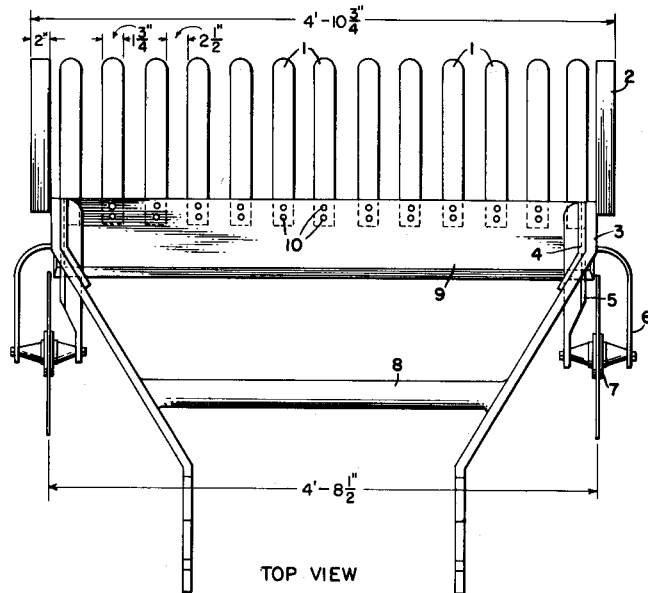
The accompanying photographs (figs. 1 and 2) and sketches (fig. 3) are selfexplanatory. Except where bolts are shown, parts are joined by electric welds' The front edge of the blade is ground to a sharp cutting edge with the bevel up.



**Figure 1. - Tractor with tree lifter attached.**



**Figure 2. - Closeup view of lifter and hitch.**



### TREE LIFTER

DUNBAR FOREST EXPERIMENT STATION

PARTS LIST

	<u>Number needed</u>
1. Car spring leaf, 1/4" x 1 3/4" x 18"	13
2. Plate shield, 1/8" x 16" x 16"	2
3. Tractor hitch, 1" x 3" x 3'6"	2
4. Welded brace, 1/2" x 4" x 9 1/2"	2
5. T-iron sprocket/brace, 3/8" x 1 1/2" x 15"	2
6. Iron sprocket/brace, 3/8" x 1 1/2" x 12"	2
7. Coultter, 16", 1/2" diam. axle	2
8. Iron pipe, 2 1/2" outside diam. x 2'4"	1
9. Grader blade, 8"	1
10. Flow bolts, 1/2" diam., nuts on bottom of blade	26

