

DESIGN FOR A NURSERY SEEDBED LIFTER

Robert H. Heintz

Nurseryman, State Forest Nursery
Towner, North Dakota

The tree lifter used here at Towner Nursery does our work very well. It is simple, rugged, and quick to operate (figs. 1-4). It was made at a local machine shop.

The axle or 2 1/2-inch shaft was taken from a combine and is of cold rolled steel. The cutting edge of the blade is the hard steel edge of a road grader blade. We determine the pitch of the blade by adjusting the turnbuckles; the depth of the blade is determined by the pump. To remove the blade, just remove the two chain bolts and the two hanger bolts and the tractor is ready for other work.



Figure 1. - Lifter in action. Chain hook up and turnbuckle determine angle of blade at a certain depth. The 1-inch bolt holding blade to hanger has a double nut to allow blade to swing.

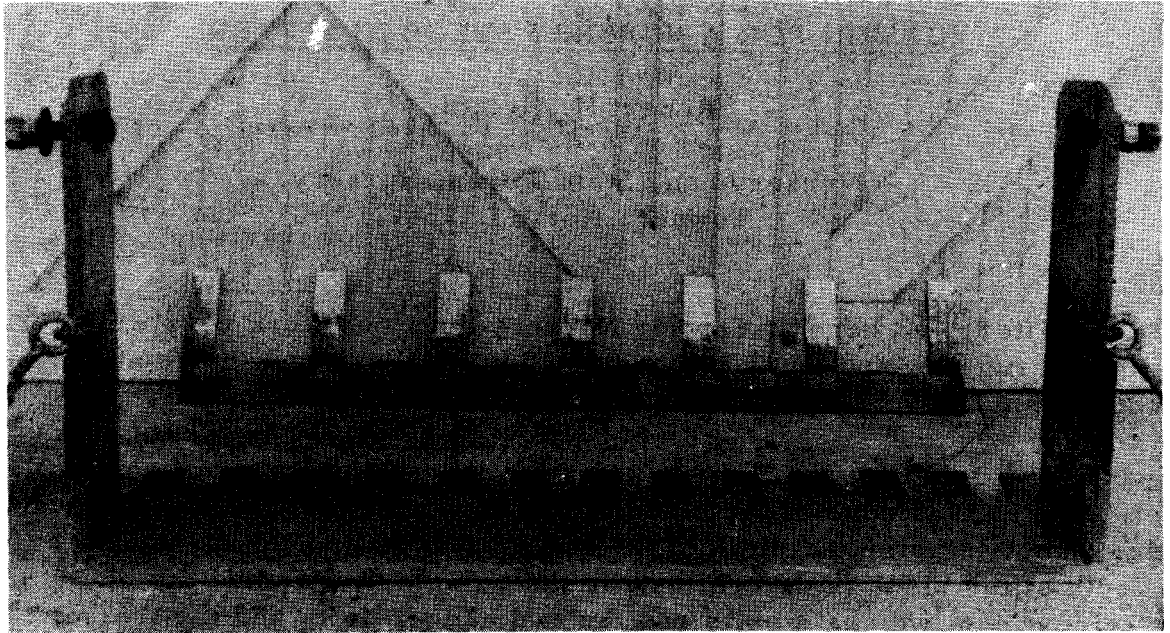


Figure 2. - Blade as used for seedlings. When blade is used for transplants, the set of teeth in the background is bolted onto the regular teeth.

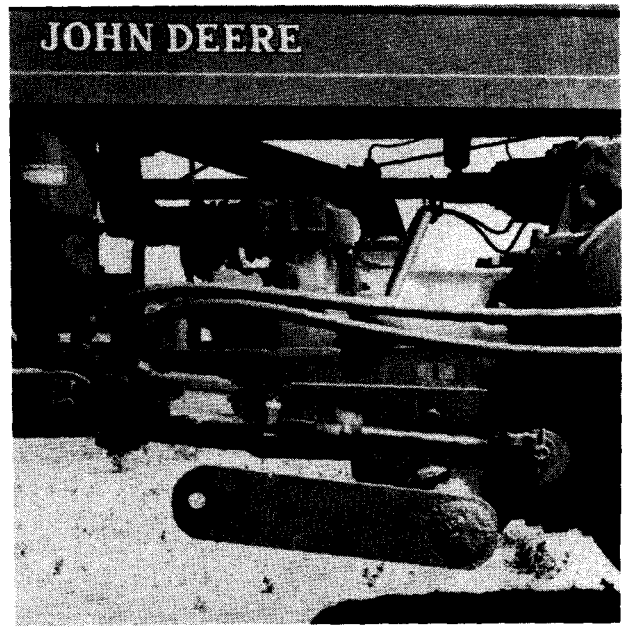


Figure 3. - Left, blade hanger, shaft, keeper ring, and tractor mounting. Right, pump mounting and blade hanger in up position.

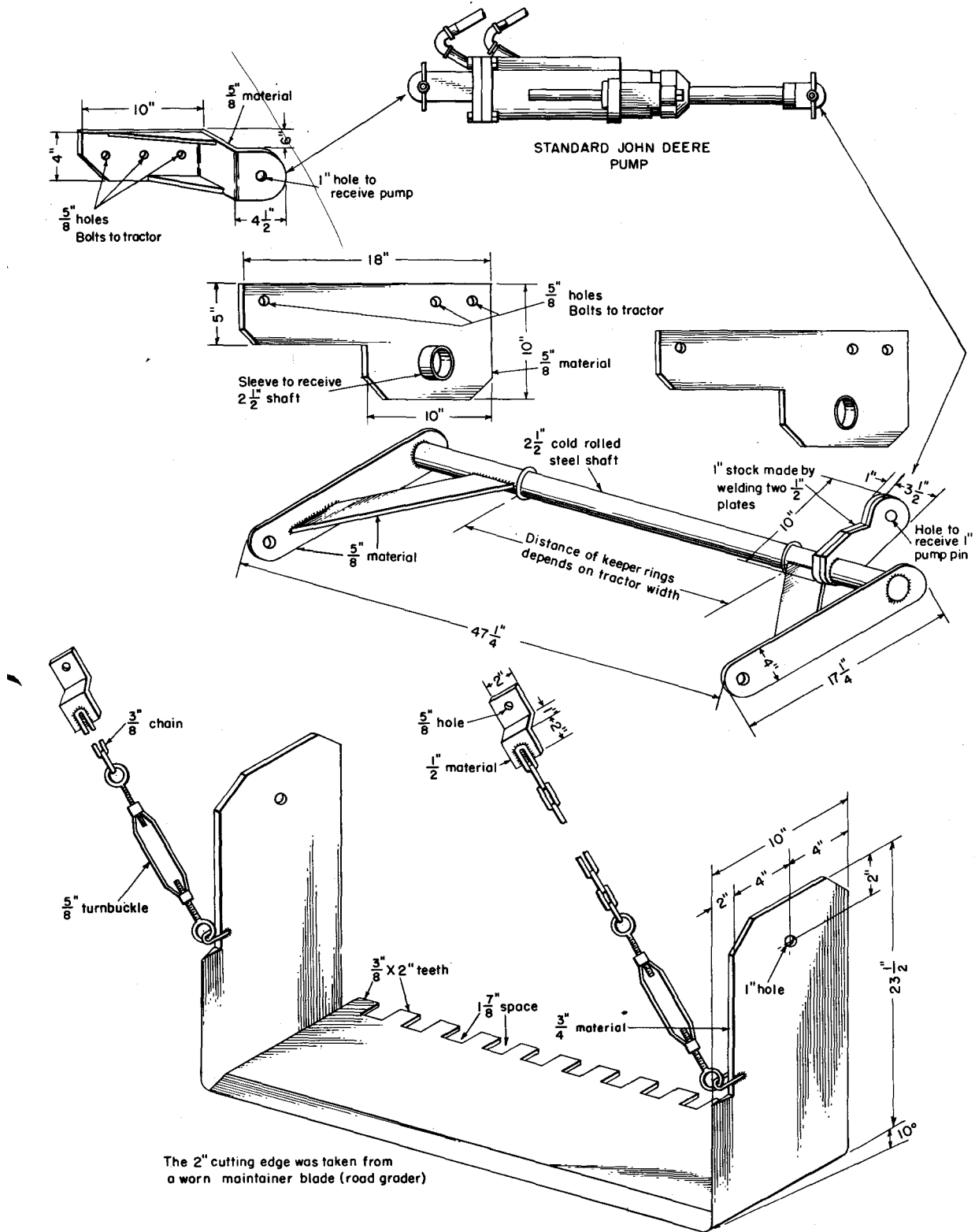


Figure 4. - Construction details of lifter.