

New Nursery Literature

This section contains a listing of all the latest published articles that I could find regarding forest and conservation nurseries. There are two basic categories of literature offered through this service: **Special Order Publications and Articles Available on the Literature Order Form.**

Special Order Publications

Special Orders (SO) are books or other publications that, because of their size or cost, require special handling. For some, the Forest Service has procured copies for free distribution, but others will have to be purchased. Prices and ordering instructions are given here, or following their listing in the New Nursery Literature section.

SO. Landis, T.D.; Tinus, R.W.; Barnett, J.P. 1999. **Seedling Propagation Vol. 6. The Container Tree Nursery Manual.** Agric. Handbk. 674. Washington, DC: U.S. Department of Agriculture, Forest Service. 165 p.

CONTENT: This softbound book contains four chapters: Crop Planning, Seed Propagation, Vegetative Propagation, and Seedling Development: The Establishment, Rapid Growth, and Hardening Phases. The previous five volumes of this series cover nursery establishment, propagation environments, equipment, and supplies and now Volume Six goes into the specifics of growing both commercial tree species as well as other native plants. Like the other volumes, the text is illustrated with numerous tables, line drawings, and color photographs.

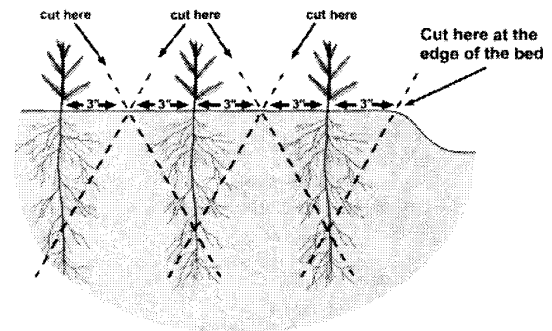
COST: One free copy to each person, while supplies last. Additional copies can be ordered from the US Government Bookstore for an as yet to be determined price - probably around \$30.

TO ORDER: Write #A on the Literature Order Form, or you can also order through the On-Line Publications section of our Reforestation, Nurseries, and Genetic Resources (RNCR) home page: << <http://willow.ncfes.umn.edu/snti/snti.htm> >>.

SO. Dumroese, R.K.; Landis, T.D.; Wenny, D.L. 1998. **Raising Forest Tree Seedlings at Home: Simple Methods for Growing Conifers of the Pacific Northwest From Seeds.** Moscow, ID: University of Idaho, Idaho Forest, Wildlife, and Range Experiment Station Contribution 860. 55p.

CONTENT: This publication, affectionately called The Beginners Nursery Manual, is a cooperative effort of the USDA Forest Service Cooperative Forestry Program and the University of Idaho. The manual provides basic, practical information for folks who wish to grow forest tree seedlings at home on a hobby level. Although focusing on conifers of the Pacific Northwest, the techniques presented will work with a variety of woody trees and shrubs. This would also be an invaluable aid for people thinking about starting their own nursery. The easy-to-read text is supplemented with plenty of figures (Fig. 3), and appendices provide more detailed and advanced information.

Figure 3—Directions for undercutting bareroot seedlings.



COST: Free, while supplies last.

TO ORDER: Write #B on the Literature Order Form, or you can also order through the On-Line Publications section of our Reforestation, Nurseries, and Genetic Resources (RNCR) home page: << <http://willow.ncfes.umn.edu/snti/snti.htm> >>.

SO. **National Proceedings: Forest and Conservation Nursery Associations -1998** Landis, T.D.; Barnett, J.P. tech. coord. 1999. General Technical Report. SRS-25. Asheville, NC: U.S. Department of Agriculture, Forest Service, Southern Research Station, 192 p.

CONTENT: This proceedings is a compilation of 43 papers that were presented at the three regional nursery meetings in 1998. The Southern Forest Nursery Association Conference was held in Lafayette, LA, on July 13-16; the Northeastern Forest Nursery Association Conference was held in Annapolis, MD, on July 27-30; and the Combined Forest Nursery Association of British Columbia/Western Forest and Conservation Nursery Association meeting was held on August 10-13 in Victoria, BC, Canada. The subject matter ranges from seed collection and processing, through nursery cultural practices, to harvesting, storage and outplanting.

COST: Free

TO ORDER: Write #C on the Literature Order Form, or you can also order through the On-Line Publications section of our Reforestation, Nurseries, and Genetic Resources (RNGR) home page: « <http://willow.ncfes.umn.edu/snti/snti.htm> ».

SO. Rose, R.; Haase, D.L. 1998. **Native Plants: Propagating and Planting**. Proceedings of Dec. 9-10 conference. Corvallis, OR: Oregon State University, Nursery Technology Cooperative. 182 p.

CONTENT: Proceedings includes 35 papers from speaker presentations and posters. Topics cover seed propagation, vegetative propagation, and native plant projects.

COST: \$20.00, payable to OSU COLLEGE OF FORESTRY-NTC

TO ORDER: Diane Haase
Nursery Technology Cooperative
Oregon State University
Dept. of Forest Science, FSL-020
Corvallis, OR 97331
USA
TEL: 541.737.6576
FAX: 541.737.5814
E-MAIL: haased@fsl.orst.edu
WEB:

<http://www.fsl.orst.edu/coops/ntc/ntc.htm>

The Northeast Regional Agricultural Engineering Service (NRAES) offers many useful publications that have application to forest and conservation nurseries. I have featured three that caught my eye but you might want to check their website for others:

SO. Bartok, J.W Jr. 1994. **Fertilizer and Manure Application Equipment**. Pub. No. NRAES-57. Ithaca, NY: Northeast Regional Agricultural Engineering Service. 23 p.

COST: \$6.00 + \$3.50 Shipping and handling for orders up to \$20.

SO. Ross, D.S. 1989. **Pesticide Sprayers for Small Farms**. Bulletin 317. University of Maryland. 23 p.

COST: \$5.00 + \$3.50 Shipping and handling for orders up to \$20.

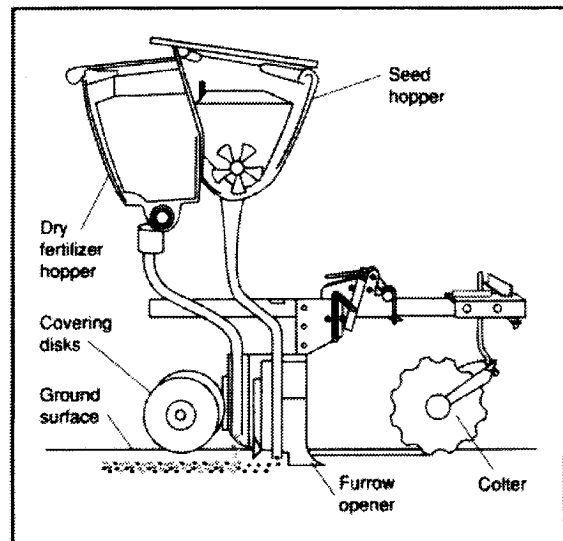
SO. Derksen, R.C. 1994. **Hydraulic Nozzles for Boom Sprayers**. Pub. No. FS-38. Ithaca, NY: Northeast Regional Agricultural Engineering Service. 6 p.

COST: \$1.50 + \$3.50 Shipping and handling for orders up to \$20.

CONTENT: These softbound pamphlets contains information on equipment selection and methods of application for dry chemicals, liquid fertilizers and pesticides, and manure. They have many excellent illustrations (Figure 4) and should be a useful addition to the nursery library.

TO ORDER: Northeast Regional Agricultural Engineering Service
Cooperative Extension
152 Riley_Robb hall
Ithaca, NY 14853-5701
USA
TEL: 607.255.7654
FAX: 607.254.8770
E-MAIL: nraes@comell.edu
WEB: www.nraes.org

Figure 4—Fertilizer application at seeding. Source: Fertilizer and Manure Application Equipment.



SO. Baskin, C.C.; Baskin, J.M. 1998. **Seeds: ecology, biogeography, and evolution of dormancy and germination.** New York: Academic Press. 666 p.

CONTENT: This hardbound book discusses two of the most interesting aspects of seed biology: germination and dormancy. Relevant topics include types of dormancy, timing of germination, and the environmental factors that control germination in plant communities from the tropics to the arctic. Although it does not specifically cover nursery propagation, much of the information can be applied in forest and conservation nurseries especially those growing native plants.

COST: \$99.95

TO ORDER: From your local bookstore or one of the web sites.

The International Centre for Research in Agroforestry (ICRAF) has just published two volumes of a nursery manual series, entitled Good Tree Nursery Practices. Both manuals are written in plain English with background information as to why specific techniques are recommended. Illustrations and practical examples help reinforce the themes.

SO. **Practical Guidelines for Research Nurseries,** by Hannah Jaenicke, 93 pages.

CONTENT: This manual is targeted at scientists, nursery managers and managers of tree planting programs. Despite the central role of trees in agroforestry research, seedling quality is often neglected. However, without sufficient attention to

seedling quality, experiments may be canceled and long-term results may be confounded. Moderate investments in the improvement of nursery infrastructure can in most cases increase the scientific value of agroforestry experiments. The book covers seedling quality, containers, substrates, fertilizers, nursery and plant hygiene, nursery environment and facilities, and management and planning.

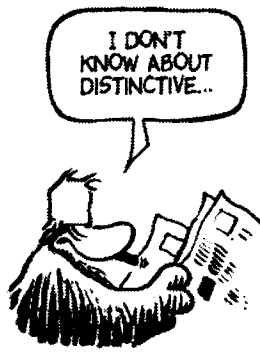
SO. **Practical Guidelines for Community Nurseries,** by Kevyn Elizabeth Wightman, 95 pages.

CONTENT: This manual is targeted at extension staff, managers of tree planting projects, and leaders of community and group nurseries. While community tree planting programs are common, more attention is given to seedling quantity, rather than seedling quality. In order for these programs to succeed in the long term, the emphasis must change to quality. In this book the author does not spell out the A-Z on how to run a nursery, rather she focuses on how to adjust nutrients, light, and watering to achieve optimal plant development. Chapters on follow-up after planting, how to carry out simple nursery experiments, and natural pesticide recipes are included.

COST: Both books are free of charge when ordered by surface mail, or at parcel cost by airmail

TO ORDER: International Centre for Research in Agroforestry (ICRAF) PO. Box 30677 Nairobi, KENYA FAX (INTERNATIONAL): 254.2.521001 FAX (US): 650.833.6646 E-MAIL: icraf@cgiar.org

SHOE



©Tribune Media Services, Inc. All Rights Reserved.
Reprinted with permission.

Articles on the Literature Order Form

Copies of the following journal articles or publications are free and can be ordered using the Literature Order Form on the last page. Just write in the appropriate number or letter on the form and return it to us. Note that there are two restrictions:

1. Limit in the Number of Free Articles: In an effort to reduce mailing costs, we are limiting the number of free articles that can be ordered through the FNN literature service. All subscribers will be restricted to 25 free articles per issue. If you still want additional articles, then you will have to order them on a fee basis from Donna Loucks, the librarian who maintains

the FNN database. Just fill in the number of the fee articles on the bottom half of the order form, return it to us, and we will forward it to Donna.

2. Copyrighted Material. Items with © are copyrighted and require a fee for each copy, so only the title page and abstract will be provided through this service. If you want the entire article, then you can order a copy from a library service or from Donna.

Bareroot Production

1. Hardwood seedling production. Rentz, R. National proceedings: Forest and Conservation Nursery Association -1998, p.22-24. Landis, TD. and Barnett, J.P, eds. USDA Forest Service, Southern Research Station, General Technical Report SRS-25. 1999.

2. Influence of temporary covers on the growth of nursery tree seedlings. Andersen, L.; Bronnum, P; Jensen, M. Journal of Horticultural Science and Biotechnology 74(1):74-77. 1999.

Business Management

3. Current reforestation demands on southern nurseries. Karrfalt, R. P; Lantz, C. W. National proceedings: Forest and Conservation Nursery Association - 1998, p.5-7. Landis, T.D. and Barnett, J.P., eds. USDA Forest Service, Southern Research Station, General Technical Report SRS-25. 1999.

4. How to get zoning approval. Bartok, J. W., Jr. Greenhouse Management and Production 19(6):66-67. 1999.

5. How to improve productivity through motivation, training. Bartok, J. W., Jr. Greenhouse Management and Production 19(3):57-58. 1999.

6. Paper cats. Aylsworth, J. Greenhouse Grower 17(2):82, 884, 86, 88. 1999. Using an Electronic Data Interchange (EDI) to handle business transactions between buyers and sellers can cut paperwork and increase efficiency.

7. ©Silvicultural contracting in British Columbia. Wang, S.; van Kooten, G. C.; Wilson, B. Forestry Chronicle 74(6):899-910. 1998.

Container Production

8. Commercial containerized hardwood seedling production in the southern USA. McRae, J. National

proceedings: Forest and Conservation Nursery Association - 1998, p.35-38. Landis, T.D. and Barnett, J.P, eds. USDA Forest Service, Southern Research Station, General Technical Report SRS-25. 1999.

9. Container mechanization at Riverside's Eagle Rock Nursery. DeBoer, G.; Kusisto, J. National proceedings: Forest and Conservation Nursery Association - 1998, p.147. Landis, TD. and Barnett, J.P, eds. USDA Forest Service, Southern Research Station, General Technical Report SRS-25. 1999. Mechanized extraction has reduced manpower requirements by 40%.

10. Evaluating the cold hardiness of container grown longleaf pine seedlings. Sword, M. A.; Tinus, R. W.; Barnett, J. P. National proceedings: Forest and Conservation Nursery Association - 1998, p.50-53. Landis, T.D. and Barnett, J.P, eds. USDA Forest Service, Southern Research Station, General Technical Report SRS-25. 1999.

11. An expert system for forest nursery management. Sadiq, R.; Stock, M.; Wenny, D.; Robberecht, R. AI Applications 12(1-3):41-50. 1998.

12. Forcing perennials: learn the growing conditions to avoid or embrace. Biernbaum, J.; Morrison, M. S. Greenhouse Grower 17(1):161-164. 1999.

13. The use of controlled water stress to manipulate growth of container-grown Rhododendron cv. Hoppy. Cameron, R. W. F.; Harrison-Murray, R. S.; Scott, M. A. Journal of Horticultural Science and Biotechnology 74(2):161-169. 1999.

14. Utilization of Jiffy pellets in the production of pine and eucalypt seedlings, pine rooted cuttings and native species propagation: nursery and field comparisons. Wright, J. A.; Escobar, J.; Henderson, G. National proceedings: Forest and Conservation Nursery Association - 1998, p.54-56. Landis, TD. and Barnett, J.P., eds. USDA Forest Service, Southern Research Station, General Technical Report SRS-25. 1999.

Diverse Species

15. **Adaptive genetic variation of broadleaf lupine (*Lupinus latifolia*) and implications for seed transfer.** Doede, D. L.; Cray, C.; Trindle, J.; Darris, D. IN: Native plants: propagating and planting, symposium proceedings, p. 12-17. Oregon State University, Nursery Technology Cooperative. R. Rose and D.L. Haase, eds. 1999.
16. **Adaptive genetic variation of *Elymus glaucus* (blue wildrye) in northeast Oregon: implications for seed collection and management.** Erickson, V IN: Native plants: propagating and planting, symposium proceedings, p.155-156. Oregon State University, Nursery Technology Cooperative. R. Rose and D. Haase, eds. 1999.
17. **Arbuscular mycorrhizae promote establishment of prairie species in a tall-grass prairie restoration.** Smith, M. R.; Charvat, I.; Jacobson, R. L. Canadian Journal of Botany 76(11):1947-1954. 1998.
18. **Arbuscular mycorrhizal fungi associated with *Festuca* species in the Canadian High Arctic.** Dalpe, Y.; Aiken, S. G. Canadian Journal of Botany 76(11):1930-1938. 1998.
19. **Asexual plant propagation: increasing your odds of success.** Scianna, J. D. IN: Native plants: propagating and planting, symposium proceedings, p.54-59. Oregon State University, Nursery Technology Cooperative. R. Rose and D. Haase, eds. 1999.
20. **Collecting and propagating native California taxads: a case study of Pacific yew (*Taxus brevifolia*) and California nutmeg (*Torreya californica*).** Kaplow, D.; Scher, S. IN: Native plants: propagating and planting, symposium proceedings, p.164-165. Oregon State University, Nursery Technology Cooperative. R. Rose and D. Haase, eds. 1999.
21. **Collection, propagation and use of native plants.** Vrijmoed, E National proceedings: Forest and Conservation Nursery Association -1998, p.156-159. Landis, T.D. and Barnett, J.P., eds. USDA Forest Service, Southern Research Station, General Technical Report SRS-25. 1999.
22. **Comparing micropropagation protocols for a herbaceous perennial, a woody shrub, and a conifer** Dumroese, R. K.; Edson, J. L.; Leege-Brnsven, D.; Wenny, D. L. IN: Native plants: propagating and planting, symposium proceedings, p.68-73. Oregon State University, Nursery Technology Cooperative. R. Rose and D. Haase, eds. 1999.
23. **Effect of auxin and wounding on adventitious root formation of prickly-pear cactus cladodes.** Lazcano, C. A.; Davies, F. T., Jr.; Estrada-Luna, A. A.; Duray, S. A.; Olalde-Portugal, V Hort Technology 9(1):99-102. 1999.
24. **Effect of temperature, growth regulators and other chemicals on *Echinacea purpurea* (L.) Moench seed germination and seedling survival.** Kochankova, V G.; Grzesik, M.; Chojnowski, M.; Nowak, J. Seed Science and Technology 26(3):547-554. 1998.
25. **Effects of moisture, temperature, and time on seed germination of five wetland *Carices*: implications for restoration.** Budelsky, R. A.; Galatowitsch, S. M. Restoration Ecology 7(1):86-97. 1999.
26. **Effects of seed treatments and planting depth on emergence of sea buckthorn species.** Li, T. S. C.; Wardle, D. A. HortTechnology 9(2):213-216. 1999.
27. **Extraction and germination of Pacific madrone seed.** Harrington, C. A.; Lodding, C. C.; Kraft, J. M. IN: Native plants: propagating and planting, symposium proceedings, p. 38-42. Oregon State University, Nursery Technology Cooperative. R. Rose and D.L. Haase, eds. 1999.
28. **Factors affecting germination of endangered northeastern bulrush, *Scirpus ancistrochaetus* Schuyler (Cyperaceae).** Lentz, K. A.; Johnson, H. A. Seed Science and Technology 26(3):733-741. 1998.
29. **Genetic studies in native plants.** Hipkins, V IN: Native plants: propagating and planting, symposium proceedings, p.136-141. Oregon State University, Nursery Technology Cooperative. R. Rose and D. Haase, eds. 1999. The National Forest Genetic Electrophoresis Laboratory can provide genetic information to managers as an aid for their resource decisions.
30. **Geographic races may exist among perennial grasses.** Adams, T. E.; Vaughn, C. E.; Sands, E. B. California Agriculture 53(2):33-38. 1999.
31. **Germination and dormancy release of seeds of Australian native understorey species used for minesite rehabilitation.** Jhurree, B.; Bellairs, S. M.; Hetherington, S. E. Seed Science and Technology 26(3):587-601. 1998.
32. **Growing endangered plants to save them: germinating, propagating, and restoring pink sandverbena.** Kaye, T. N.; Kirkland, M.; Testa, N. IN: Native plants: propagating and planting, symposium proceedings, p.100-107. Oregon State University, Nursery Technology Cooperative. R. Rose and D. Haase, eds. 1999.
33. **Growing native plants for mine reclamation.** Jones, C. E. National proceedings: Forest and Conservation Nursery Association - 1998, p.154-155. Landis, T.D. and Barnett, J.P., eds. USDA Forest Service, Southern Research Station, General Technical Report SRS-25. 1999.

34. **Micropropagation: an important tool in the conservation of endangered Hawaiian plants.** Sugii, N.; Lamoureux, C. IN: Native plants: propagating and planting, symposium proceedings, p.43-48. Oregon State University, Nursery Technology Cooperative. R. Rose and D. Haase, eds. 1999.
35. **Native plant propagation at Pacific Forestry Centre.** Hagel, R. National proceedings: Forest and Conservation Nursery Association—1998, p.148-153. Landis, T.D. and Barnett, J.P., eds. USDA Forest Service, Southern Research Station, General Technical Report SRS-25. 1999.
36. **Native plants: what have you done for us lately?** Risser, P. G. IN: Native plants: propagating and planting, symposium proceedings, p. 5-6. Oregon State University, Nursery Technology Cooperative. R. Rose and D.L. Haase, eds. 1999.
37. **Native wildflower establishment with imidazolinone herbicides.** Beran, D. D.; Gaussion, R. E.; Masters, R. A. HortScience 34(2):283-286. 1999.
38. **Palm pilots: how Searle Brothers Nursery finds markets and sells species from around the world.** Davis, T. Nursery Management and Production 15(4):26-30. 1999. Searle Brothers Nursery has specialized in the collection and propagation of palms from around the world.
39. **Plant-derived smoke: an effective seed presoaking treatment for wildflower species and with potential for horticultural and vegetable crops.** Brown, N. A. C.; Van Staden, J. Seed Science and Technology 26(3):669-673. 1998.
40. **Propagating native grass seed and seedlings.** Steinfeld, D.; Archibald, C. IN: Native plants: propagating and planting, symposium proceedings, p. 32-37. Oregon State University, Nursery Technology Cooperative. R. Rose and D.L. Haase, eds. 1999.
41. **©Propagating native species: experience at the Wind River Nursery.** Harrington, C. A.; McGrath, J. M.; Kraft, J. M. Western Journal of Applied Forestry 14(2):61-64. 1999.
42. **Propagation and establishment of a native wetland plant species: Beckmannia syzigachne.** Flessner, T. R. IN: Native plants: propagating and planting, symposium proceedings, p.157-158. Oregon State University, Nursery Technology Cooperative. R. Rose and D. Haase, eds. 1999.
43. **Propagation and establishment of hardstem bulrush at Johnson Lake, Confederated Tribes of the Warm Springs Reservation of Oregon.** Darris, D. C.; Owings, T. D. IN: Native plants: propagating and planting, symposium proceedings, p.153-154. Oregon State University, Nursery Technology Cooperative. R. Rose and D. Haase, eds. 1999.
44. **Rooting ability of fifteen native shrubs using hardwood cuttings in the field and greenhouse.** Danis, D. C.; Brown, J.; Williams, D'Lynn IN: Native plants: propagating and planting, symposium proceedings, p.60-67. Oregon State University, Nursery Technology Cooperative. R. Rose and D. Haase, eds. 1999.
45. **Ruminations and ramblings about native plant propagation.** Landis, T. D. IN: Native plants: propagating and planting, symposium proceedings, p.142-150. Oregon State University, Nursery Technology Cooperative. R. Rose and D. Haase, eds. 1999. Encourages native plant nurseries to share techniques about collecting seed and cuttings, seed treatments, and cultural techniques.
46. **Salvaging plants for propagation and revegetation.** Buis, S. IN: Native plants: propagating and planting, symposium proceedings, p.75-78. Oregon State University, Nursery Technology Cooperative. R. Rose and D. Haase, eds. 1999.
47. **Secondary seed dormancy of Rhododendron catawbiense and Rhododendron maximum.** Glenn, C. T.; Blazich, F. A.; Warren, S. L. Journal of Environmental Horticulture 17(1):1-4. 1999.
48. **Seed banking for the future.** Raven, A. N. IN: Native plants: propagating and planting, symposium proceedings, p. 7-8. Oregon State University, Nursery Technology Cooperative. R. Rose and D.L. Haase, eds. 1999.
49. **Seed germination and storability studies of 69 plant tam native to the Willamette Valley wet prairie.** Guerrant, E. O., Jr.; Raven, A. IN: Native plants: propagating and planting, symposium proceedings, p. 25-31. Oregon State University, Nursery Technology Cooperative. R. Rose and D.L. Haase, eds. 1999.
50. **Seed germination of fox sedge and broadleaf arrowhead.** Hurd, E. G.; Shaw, N. L. IN: Native plants: propagating and planting, symposium proceedings, p.151-152. Oregon State University, Nursery Technology Cooperative. R. Rose and D. Haase, eds. 1999.
51. **Selecting native plants using VegSpec - a web-based expert system.** Pyke, D. A.; Smith, P H.; Patterson, J. M.; Ticknor, K. A.; Henson, J. F.; Warren, S. D. IN: Native plants: propagating and planting, symposium proceedings, p.159-160. Oregon State University, Nursery Technology Cooperative. R. Rose and D. Haase, eds. 1999.
52. **Techniques to determine total viability in native seed.** Vivrette, N. IN: Native plants: propagating and planting, symposium proceedings, p. 23-24. Oregon State University, Nursery Technology Cooperative. R. Rose and D.L. Haase, eds. 1999.

53. **Use of mycorrhizae for native plant production.** St. John, T. IN: Native plants: propagating and planting, symposium proceedings, p. 49-53. Oregon State University, Nursery Technology Cooperative. R. Rose and D.L. Haase, eds. 1999.

54. **Vegetative propagation of *Pinus maximartinezii*.** Romero, J. L.; Goldfarb, B. IN: Native plants: propagating and planting, symposium proceedings, p.161-163. Oregon State University, Nursery Technology Cooperative. R. Rose and D. Haase, eds. 1999.

55. **Wildlife considerations when planning plant projects.** Nolte, D. IN: Native plants: propagating and planting, symposium proceedings, p.118-123. Oregon State University, Nursery Technology Cooperative. R. Rose and D. Haase, eds. 1999.

SO. **Native plants: propagating and planting, symposium proceedings.** R. Rose and D.L. Haase, eds. Oregon State University, Nursery Technology Cooperative. Held Dec. 9-10, 1998.

ORDER FROM: Diane Haase,
Nursery Technology Cooperative,
Oregon State University,
Forestry Science Lab 020,
Corvallis, OR 97331-7501.

Cost: \$20.00, payable to OSU College of Forestry-NTC.

Fertilization and Nutrition

56. **Controlling plant growth with fertilizers.** Nelson, P V.; Song, C. Y; Huang, J. S. Greenhouse Management and Production 19(3):30-32. 1999. Plant height relates more to phosphate than any other factor.

57. ©**Effects of nitrogen source on growth and activity of nitrogen-assimilating enzymes in Douglas-fir seedlings.** Bedell, J. P.; Chalot, M.; Gamier, A.; Botton, B. Tree Physiology 19(3):205-210. 1999.

58. **Fertilizer concentration and moisture tension affect growth and foliar N, P, and K contents of two woody ornamentals.** Rose, M. A.; Rose, M.; Wang, H. HortScience 34(2):246-250. 1999.

59. **Fertilizer technology.** Benson, R. R. National proceedings: Forest and Conservation Nursery Association - 1998, p.108-110. Landis, T.D. and Barnett, J.P, eds. USDA Forest Service, Southern Research Station, General Technical Report SRS-25. 1999.

60. ©**First-year growth response of four *Populus trichocarpa* x *Populus deltoides* clones to fertilizer placement and level.** van den Driessche, R. Canadian Journal of Forest Research 29(5):554-562. 1999.

61. **Forest seedling nutrition trends.** van Steenis, E. National proceedings: Forest and Conservation Nursery Association -1998, p.104-107. Landis, T.D. and Barnett, J.P, eds. USDA Forest Service, Southern Research Station, General Technical Report SRS-25. 1999. Focuses on the K/N ratio.

62. ©**Growth and nutrition of *Betula pendula* at different relative supply rates of zinc.** Goransson, A. Tree Physiology 19(2):111-116. 1999.

63. **A Growth and nutrition of containerized singleleaf pinyon seedlings in response to controlled release fertilization.** Walker, R. F.; Hunt, C. D. Arid Soil Research and Rehabilitation 13:123-132. 1999.

64. ©**Manganese and calcium nutrition of *Pines sylvestris* and *Pinus mgrs* from two different origins. I. Manganese.** Kavvadias, V. A.; Miller, H. G. Forestry 72(1):35-45. 1999.

65. ©**Manganese and calcium nutrition of *Pines sylvestris* and *Pinus nigra* from two different origins. II Calcium.** Kavvadias, V. A.; Miller, H. G. Forestry 72(2):147-155. 1999.

66. **N-fertilization of nursery crops in the field—a review, part 1.** Alt, D. Gartenbauwissenschaft 63(4):165-170. 1998.

67. **N-fertilization of nursery crops in the field—a review, part 2.** Alt, D. Gartenbauwissenschaft 63(5):237-242. 1998.

68. ©**Nutrient uptake by intact mycorrhizal *Pious sylvestris* seedlings: a diagnostic tool to detect copper toxicity.** Van Tichelen, K. K.; Vanstraelen, T.; Colpaert, J. V. Tree Physiology 19(3):189-196. 1999.

69. ©**Root chemistry of Douglas-fir seedlings grown under different nitrogen and potassium regimes.** Shaw, T. M.; Moore, J. A.; Marshall, J. D. Canadian Journal of Forest Research 28(10):1566-1573.1998.

70. **Uncommon deficiencies of woody ornamentals.** Mathers, H. Nursery Management and Production 15(3):62-64, 66, 68. 1999. Tips for managing micronutrients and macronutrients.

71. **Why test your water and media.** Jacques, D. J.; Adams, R.; Donnan, V.; Ferry, S.; Morgan, N. Greenhouse Management and Production 19(3):33, 37-41. 1999. In-house and laboratory analyses impact which fertilizer you use.

72. ©**Zinc nutrition in horticultural crops.** Swietlik, D. Horticultural Reviews 23:109-178. 1999.

SO. **Fertilizer and manure application equipment.** Bartok, J. W., Jr. Northeast Regional Agricultural Engineering Service, NRAES-57. 1994.

ORDER FROM: Northeast Regional Agricultural Engineering Service, Cooperative Extension, 152 Riley-Robb Hall, Ithaca, NY 14853-5701. (607) 255-7654.

Cost: \$6.00 + \$3.50 S&H.

General and Miscellaneous

73. ©**Afforestation as a real option: some policy implications.** Thorsen, B. J. *Forest Science* 45(2):171-178. 1999.

74. **British Columbia's coastal forest sector - challenges ahead.** Dumont, B. National proceedings: Forest and Conservation Nursery Association - 1998, p.83-86. Landis, T.D. and Barnett, J.P., eds. USDA Forest Service, Southern Research Station, General Technical Report SRS-25. 1999.

75. **Come rain or shine.** George, D. *American Nurseryman* 189(2):75-80. 1999. Weather intelligence can help nursery professionals maximize production and purchasing factors that contribute to increased profits and minimize those that do not.

76. **Forest and conservation nursery trends in the northwestern United States.** Landis, T. D. National proceedings: Forest and Conservation Nursery Association -1998, p.78-80. Landis, T.D. and Barnett, J.P., eds. USDA Forest Service, Southern Research Station, General Technical Report SRS-25. 1999. Focuses on 3 trends: changes in federal government nurseries, demand for larger stock types, and increased interest in native plants.

77. **Forest nursery industry: now and the future.** Bryan, J. A. National proceedings: Forest and Conservation Nursery Association - 1998, p.87-90. Landis, T.D. and Barnett, J.P., eds. USDA Forest Service, Southern Research Station, General Technical Report SRS-25. 1999.

78. **Forestry extension: strategies to make forestry technology acceptable to the people.** Prasad, R. *Indian Forester* 124(11):939-944. 1998.

79. **Greenhouse gas emission reduction trading pilot.** Bell, W. National proceedings: Forest and Conservation Nursery Association - 1998, p.96-98. Landis, T.D. and Barnett, J.P., eds. USDA Forest Service, Southern Research Station, General Technical Report SRS-25. 1999.

80. **Possibilities for a national forest nursery association in Canada.** Smith, I.; Hodgson, J. National proceedings: Forest and Conservation Nursery Association - 1998, p.102-103. Landis, T.D. and Barnett, J.P., eds. USDA Forest Service, Southern Research Station, General Technical Report SRS-25. 1999. On the formation of the Forest Nursery Alliance of Canada.

81. **Quick access to forestry information through CD-ROM.** Subramonian, C. *Indian Forester* 124(8):625-628.

1998. Describes TREE-CD, the electronic version of Forestry Abstracts.

82. **Refuge contributions to reforestation.** Aycock, R. National proceedings: Forest and Conservation Nursery Association -1998, p.8-9. Landis, T.D. and Barnett, J.P., eds. USDA Forest Service, Southern Research Station, General Technical Report SRS-25. 1999. Collecting of acorns on National Wildlife Refuge system lands.

83. ©**Risk-based selection of forest regeneration methods.** Zhou, W. *Forest Ecology and Management* 115(1):85-92. 1999.

84. **"Sister" nurseries: a person-to-person approach to technology transfer.** Moreno, R.; Landis, T. D.; Negreros-Castillo, P. National proceedings: Forest and Conservation Nursery Association - 1998, p.99-101. Landis, T.D. and Barnett, J.P., eds. USDA Forest Service, Southern Research Station, General Technical Report SRS-25. 1999.

85. **Status report of the Mexico City metropolitan area reforestation project.** Starkey, T.; Germishuizen, P.; de los Reyes, I. E. National proceedings: Forest and Conservation Nursery Association - 1998, p.91-95. Landis, T.D. and Barnett, J.P., eds. USDA Forest Service, Southern Research Station, General Technical Report SRS-25. 1999. Project was to restore eroded and deforested areas, with the purpose of controlling the suspension of particles that affect the air quality in Mexico City.

86. **Survey of livestock influences on stream and riparian ecosystems in the western United States.** Belsky, A. J.; Matzke, A.; Uelman, S. *Journal of Soil and Water Conservation* 54(1):419-431. 1999.

SO. **National proceedings: Forest and Conservation Nursery Associations -1998.** Landis, T. D.; Barnett, J. P., eds. USDA Forest Service, Southern Research Station, General Technical Report SRS-25. 192 p. 1999.

ORDER FROM: Tom Landis, USDA Forest Service, Cooperative Programs, PO. Box 3623, Portland, OR 97208-3623. Free.

Genetics and Tree Improvement

87. ©**Defining Cryptomeria seed sources useful for Taiwan by superimposing probabilities of good provenance results over climatic data maps.** Yang, J. C.; Cheng, C. C.; Kung, F. H. *Silvae Genetica* 47(4):190-196. 1999.

88. ©**Effects of genetic selection for growth on frost hardiness in western hemlock.** Hannerz, M.; Aitken, S. N.; King, J. N.; Budge, S. *Canadian Journal of Forest Research* 29(4):509-516. 1999.

89. ©**Genetic variation in cold hardiness of Douglas-fir in relation to parent tree environment.** Balduman, L. M.; Aitken, S. N.; Harmon, M.; Adams, W. T. *Canadian Journal of Forest Research* 29(1):62-72. 1999.

90. **Genetic variation in seedling growth and phenology in four latitudinal provenances of Norway maple (*Acer platanoides* L.).** Westergaard, L. IN: Phenology in seasonal climates 1:105-116. H. Lieth and M.D. Schwartz, ed. Backhuys Publishers. 1997.

91. **©Integration of somatic embryogenesis in a tree breeding programme: a case study with *Picea abies*.** Hogberg, K. A.; Ekberg, I.; Norell, L.; von Arnold, S. Canadian Journal of Forest Research 28(10):1536-1545. 1998.

92. **Seed orchard production: its potential and its limitations.** Byram, T. D.; Lower, W. J. National proceedings: Forest and Conservation Nursery Association - 1998, p.10-13. Landis, T.D. and Barnett, J.P., eds. USDA Forest Service, Southern Research Station, General Technical Report SRS-25. 1999.

93. **©Transgenic trees resistant to microbial pests.** Seguin, A. Forestry Chronicle 75(2):303-304. 1999.

94. **USDA-Forest Service's Appalachian oak program.** Tibbs, T. National proceedings: Forest and Conservation Nursery Association - 1998, p.25-28. Landis, T.D. and Barnett, J.P., eds. USDA Forest Service, Southern Research Station, General Technical Report SRS-25. 1999.

Mycorrhizae and Beneficial Microorganisms

95. **©Arbuscular mycorrhizae and ectomycorrhizae in native tree legumes in Uruguay.** Frioni, L.; Minasian, H.; Volfovicz, R. Forest Ecology and Management 115(1):41-47. 1999.

96. **©Coinoculation of containerized Douglas-fir (*Pseudotsuga menziesii*) and maritime pine (*Pinus pinaster*) seedlings with the ectomycorrhizal fungi *Laccaria bicolor* and *Rhizopogon* spp.** Parlade, J.; Alvarez, I. F.; Pera, J. Mycorrhiza 8(4):189-195. 1999.

97. **©Direct interaction between the arbuscular mycorrhizal fungus *Glomus intraradices* and different rhizosphere microorganisms.** Fillion, M.; St-Arnaud, M.; Fortin, J. A. New Phytologist 141(3):525-533. 1999.

98. **©Ectomycorrhizal fungi of *Pinus* pines. L. In northeastern Spain.** Rincon, A.; Alvarez, I. F.; Pera, J. Mycorrhiza 8(5):271-276. 1999.

99. **©Effect of ectomycorrhizae on the growth and uptake and transport of ¹⁵N-labeled compounds by *Pinus tabulaeformis* seedlings under water-stressed conditions.** Wu, B.; Watanabe, L.; Hayatsu, M.; Nioh, I. Biology and Fertility of Soils 28(2):136-138. 1999.

100. **Effect of inoculation and substrate disinfection method on rooting and ectomycorrhiza formation of Douglas fir cuttings.** Parlade, J.; Pera, I.; Alvarez, I. F.; Bouchard, D.; Genere, B.; Le Tacon, F. Annals of Forest Science 56(1):35-40. 1999.

101. **©The Ingested concept in ectomycorrhizal research: possibilities and limitations.** Colpaert, J. V.; Verstyft, I. Physiologia Plantarum 105(2):233-238. 1999.

102. **Mycorrhizal inoculation in habitat restoration.** St. John, T. Land and Water 42(5):17-19. 1998.

103. **©Performance of *Pinus contorta* inoculated with two strains of root endophytic fungus, *Phialocephala fortinii*: effects of synthesis system and glucose concentration.** Jumpponen, A.; Trappe, J. M. Canadian Journal of Botany 76(7):1205-1213. 1998.

104. **©Plant and fungal responses to elevated atmospheric carbon dioxide in mycorrhizal seedlings of *Pinus sylvestris*.** Rouhier, H.; Read, D. J. Environmental and Experimental Botany 40(3):237-246. 1998.

105. **©Root Induction in *Pinus syacahaite* by co-culture with *Agrobacterium tumefaciens* strains.** Saborio, F.; Moloney, M. M.; Tung, P.; Thorpe, T. A. Tree Physiology 19(6):383-389. 1999.

106. **©Successful reforestation of South Carolina sandhills is not influenced by seedling inoculation with *Pisolithus tinctorius* in the nursery.** Cram, M. M.; Mexal, J. G.; Souter, R. Southern Journal of Applied Forestry 23(1):46-52. 1999.

107. **©Survival of an introduced ectomycorrhizal *Laccaria bicolor* strain in a European forest plantation monitored by mitochondrial ribosomal DNA analysis.** Selosse, M. A.; Martin, F.; Le Tacon, F. New Phytologist 140(4):753-761. 1998.

108. **©Uptake of nutrients in *Calluna vulgaris* seed plants grown with and without mycorrhiza.** Strandberg, M.; Johansson, M. Forest Ecology and Management 114(1):129-135. 1999.

Nursery Structures and Equipment

109. **Avoid the obstacles of facilities expansion.** Roberts, W. J. Greenhouse Management and Production 19(6):28-31. 1999. A key component of any expansion is a good master plan that integrates all the systems and buildings comprising the entire operation.

110. Choosing a greenhouse control system. Flood, D. *Greenhouse Management and Production* 19(2):40-42. 1999. Find out about the convenience and efficiency of consolidating all the major greenhouse control points under one interface.

111. Container roundup: the latest styles from manufacturers. *Nursery Management and Production* 15(3):71-72, 74, 77-78. 1999. Describes some new products, including grow bags, tree boxes, jiffy-pots, fiber pots, polybags, propagation trays, root-control containers, seedling trays, pot-pruner system.

112. Equipment budgets: what, how and why? Stegelin, F. *Greenhouse Management and Production* 19(5):47-48, 50. 1999. Here are the total costs to consider before buying your next piece of equipment.

113. Four propagation house tips: what to know before building a structure for rooting cuttings. Davis, T. *Nursery Management and Production* 15(1):53-54, 56-58. 1999.

114. Growing in a cinder block. Whitcomb, C. *Nursery Management and Production* 15(1):67-68, 70-71. 1999. Seedlings planted in bags placed in the cavities of cinder blocks grew well, and could not blow over like plastic pots.

115. How to get the most from an integrated control system. Flood, D. *Greenhouse Management and Production* 19(3):42-45. 1999.

116. Onset Hobo temp recorder. McCraw, D. National proceedings: Forest and Conservation Nursery Association -1998, p.3-4. Landis, TD. and Barnett, J.P, eds. USDA Forest Service, Southern Research Station, General Technical Report SRS-25. 1999.

117. Reduce greenhouse humidity. Bartok, J. W., Jr. *Greenhouse Management and Production* 19(2):56-57. 1999.

118. Selecting a greenhouse covering system. Giacomelli, G. A. *Greenhouse Management and Production* 19(4):23, 25-28. 1999. Find out which criteria to use - and why choices can often be confusing.

119. What's your greenhouse cooling strategy? Flood, D. *Greenhouse Management and Production* 19(5):51-52, 54-57. 1999.

Outplanting Performance

120. The December dip of loblolly pine. South, D. B. National proceedings: Forest and Conservation Nursery Association -1998, p.14-17. Landis, TD. and Barnett, J.P, eds. USDA Forest Service, Southern Research Station, General

Technical Report SRS-25. 1999. Loblolly pine survival is less if planted in December versus Oct.-Nov. or Jan.-Feb.

121. Early field performance of interior spruce emblings. Hawkins, C. D. B. National proceedings: Forest and Conservation Nursery Association - 1998, p.122-128. Landis, T.D. and Barnett, J.P, eds. USDA Forest Service, Southern Research Station, General Technical Report SRS-25. 1999.

122. Effect of lifting date and time of storage on survival and die-back in four deciduous species. Lindqvist, H. *Journal of Environmental Horticulture* 16(4):195-201. 1998.

123. ©Effect of peat, shade, and seedling size on growth of Atlantic white cedar transplants. Hinesley, L. E.; Snelling, L. K.; Pierce, G. L.; Wicker, A. M. *Southern Journal of Applied Forestry* 23(1):5-10. 1999.

124. Effect of tree shelters on survival, growth, and wood quality of 11 tree species commonly planted in the southern United States. West, D. H.; Chappelka, A. H.; Tilt, K. M.; Ponder, H. G.; Williams, J. D. *Journal of Arboriculture* 25(2):6975. 1999.

125. The effects of seedlings stock-type and direct-seeding on the early field survival of Nuttall oak planted on agricultural land. Williams, H. M.; Burkett, V. R.; Craft, M. N. National proceedings: Forest and Conservation Nursery Association -1998, p.29-34. Landis, T.D. and Barnett, J.P., eds. USDA Forest Service, Southern Research Station, General Technical Report SRS-25. 1999.

126. Effects of spring versus fall sowing of longleaf pine seeds in the nursery on field performance. Fore, C.; Barnett, J. P. National proceedings: Forest and Conservation Nursery Association - 1998, p.47-49 Landis, TD. and Barnett, J.P, eds. USDA Forest Service, Southern Research Station, General Technical Report SRS-25. 1999.

127. Five-year field performance of two types of Douglas fir mini-ping transplants in three forest sites in France. Genere, B. *Annales des Sciences Forestieres* 55(8):885-897. 1998.

128. Improving seedling establishment of native species in dry and semi-arid environments. Vilagrosa, A.; Seva, J. P.; Valdecantos, A.; Cortina, J.; Bellot, J.; Vallejo, V R. IN: World Forestry Congress, proceedings 6:207. 8 page complete paper also attached. 1997.

129. Nitrogen levels, top pruning, and lifting date affect nursery development and early field performance of loblolly pine seedlings. Kormanik, P P; Kormanik, T. L.; Sung, S. J. S.; Zarnoch, S. J. National proceedings: Forest and Conservation Nursery Association - 1998, p.57-62. Landis, TD. and Barnett, J.P, eds. USDA Forest Service, Southern Research Station, General Technical Report SRS-25. 1999.

130. ©Propagation method influences first year field survival and growth of *Paulownia* Bergmann, B. A. *New Forests* 16(3):251-264. 1998.

131. ©Regeneration alternatives for upland white spruce after burning and logging in interior Alaska. Densmore, R. V.; Juday, G. P.; Zasada, J. C. *Canadian Journal of Forest Research* 29(4):413-423. 1999.

132. Scarification, fertilization and herbicide treatment effects on seedling growth and quality, and soil fertility. Burgess, D.; Baldock, J. A. IN: *Innovative silviculture systems in boreal forests, proceedings*, p. 95-101. 1994.

133. Seedling morphology and survival in some Mediterranean tree and shrub species. Seva, J. P.; Valdecantos, A.; Vilagrosa, A.; Cortina, J.; Bellot, J.; Vallejo, V. R. IN: *International Conference on Mediterranean Desertification*, held Oct. 29 - Nov. 1, 1996, Crete. 10 p. 1996.

134. Soften the blow - plant aged cuttings on topple-prone sites. Aimers-Halliday, J.; Holden, G.; Klomp, B.; Menzies, M. *New Zealand Forest Research Institute, What's New in Forest Research* 248. 4 p. 1999.

135. Species differ in responses to tree shelters. Gerhold, H. D. *Journal of Arboriculture* 25(2):76-80. 1999.

136. ©Summer temperatures inside ventilated and unventilated brown plastic treeshelters in Pennsylvania. Swistock, B. R.; Mecum, K. A.; Sharpe, W. E. *Northern Journal of Applied Forestry* 16(1):7-10. 1999.

137. ©Survival and new shoot production by artificially browsed seedlings of ash, beech, oak and sycamore grown under different levels of shade. Harmer, R. *Forest Ecology and Management* 116(1-3):39-50. 1999.

138. ©Tree shelters reduced growth and survival of underplanted red oak seedlings in southern Iowa. Bardon, R. E.; Countryman, D. W.; Hall, R. B. *Northern Journal of Applied Forestry* 16(2):103-107. 1999.

Pest Management

139. ©Abating pocket gophers (*Thomomys* spp.) to regeneration forests in clearcuts. Smallwood, K. S. *Environmental Conservation* 26(1):59-65. 1999.

140. Algae control in greenhouses saves growers money, time. Powell, C. C. *Nursery Management and Production* 15(3):98-99. 1999.

141. Alternatives to methyl bromide fumigation for control of soil borne diseases in bare root forest nurseries.

Stone, J. K.; Hildebrand, D. M.; James, R. L.; Frankel, S. M. *Annual international research conference on methyl bromide alternatives and emissions reductions*, 1998, p.36-1 - 5. 1999.

142. Alternatives to methyl bromide in forest tree nurseries. Carey, W. A. *National proceedings: Forest and Conservation Nursery Association - 1998*, p.69-71. Landis, TD. and Barnett, J.P., eds. *USDA Forest Service, Southern Research Station, General Technical Report SRS-25*. 1999.

143. Battling bugs biologically. Thompson, S.; Krauter, P. C.; Heinz, K. M. *Greenhouse Grower* 17(2):26, 28, 33-34. 1999. Get ready to expand your insecticide arsenal with *Beauveria bassiana* - a biological fungus that can attack and control aphids, whiteflies, thrips, and mealybugs.

144. ©Biofumigation potential of brassicas. I Variation in glucosinolate profiles of diverse field-grown brassicas. Kirkegaard, J. A.; Sarwar, M. *Plant and Soil* 201(1):71-89. 1998.

145. ©Biofumigation potential of brassicas. II Effect of environment and ontogeny on glucosinolate production and implications for screening. Sarwar, M.; Kirkegaard, J. A. *Plant and Soil* 201(1):91-101. 1998.

146. Biological control: a look at pathogens to control nursery pests. Gill, S. *Nursery Management and Production* 15(5):43-44. 1999.

147. Biological control of pests in forest nurseries. Elliott, D. *National proceedings: Forest and Conservation Nursery Association - 1998*, p.141-143. Landis, TD. and Barnett, J.P., eds. *USDA Forest Service, Southern Research Station, General Technical Report SRS-25*. 1999.

148. ©Biological control of soil-borne diseases by rhizobacteria. Buchenauer, H. *Journal of Plant Diseases and Plant Protection* 105(4):329-348. 1998.

149. The buck stops here. Van Dellen, J. *American Nurseryman* 189(5):24-26, 28. 1999. Several control strategies are available to help nursery professionals keep unwanted deer away from valuable ornamentals.

150. Caveat emptor. Dickmann, D. I.; Isebrands, J. G. *American Nurseryman* 189(5):60-65. 1999. Nursery professionals should use only those poplar clones that have proved to be hardy and pest- and disease-resistant.

151. Contamination of pine seeds by the pitch canker fungus. Dwinell, L. D.; Fraedrich, S. W. *National proceedings: Forest and Conservation Nursery Association - 1998*, p.41-42. Landis, TD. and Barnett, J.P., eds. *USDA Forest Service, Southern Research Station, General Technical Report SRS-25*. 1999.

152. **Current issues in nursery pest management in British Columbia.** Trotter, D. National proceedings: Forest and Conservation Nursery Association - 1998, p.138-140. Landis, TD. and Barnett, J.P, ads. USDA Forest Service, Southern Research Station, General Technical Report SRS-25. 1999.
153. **©Differential suppression of damping-off caused by *Pythium aphanidermatum*, *P. irregulare*, and *P. myriotylum* in composts at different temperatures.** Ben-Yephet, Y; Nelson, E. B. Plant Disease 83(4):356-360. 1999.
154. **Disease control through sir homogenization.** Powell, C. C. Nursery Management and Production 15(1):86-87. 1999.
155. **Effect of dazomet rate and incorporation method on pine production in southern pine nurseries.** Dwinell, L. D.; Fraedrich, S. W. Annual international research conference on methyl bromide alternatives and emissions reductions, 1998, p.97-1 - 3. 1999. Dazomet has great potential as an alternative to methyl bromide, but does not control purple nutsedge as well.
156. **©Effect of western spruce budworm defoliation on the physiology and growth of potted Douglas-fir seedlings.** Kolb, T. E.; Dodds, K. A.; Clancy, K. M. Forest Science 45(2):280-291. 1999.
157. **EMF for pest control in soil as a methyl bromide alternative.** Davis, F. S.; Wayland, J. R.; Meddress, E. R.; Baugh, P. K.; Vincent, L. W. Annual international research conference on methyl bromide alternatives and emissions reductions, 1998, p.31-1 - 3. 1999. Electromagnetic fields (EMF) as a method of soil disinfestation.
158. **Evaluation of fumigants for pest management and seedling production in southern pine nurseries.** Fraedrich, S. W.; Dwinell, L. D. Annual international research conference on methyl bromide alternatives and emissions reductions, 1998, p.33-1 - 3. 1999.
159. **©Evaluations of plastic mesh tubes for protecting conifer seedlings from pocket gophers in three western states.** Engeman, R. M.; Anthony, R. M.; Barnes, V. G., Jr.; Krupa, H. W.; Evans, J. Western Journal of Applied Forestry 14(2):886-90. 1999.
160. **©An experimental field study of the effects of mammalian herbivore damage on *Eucalyptus nitens* seedlings.** Bulinski, J.; McArthur, C. Forest Ecology and Management 113(2-3):241-249. 1999.
161. **©Fungicidal activity of volatiles from selected cruciferous plants against resting propagules of soil-borne fungal pathogens.** Smolinska, U.; Horbowicz, M. Journal of Phytopathology 147:119-124. 1999.
162. **Fungus gnats: don't let them become a gnawing problem.** Greenhouse Management and Production 19(3):27-29. 1999.
163. **©Influence of inoculum concentration on production of spermogonia and aecia on pine seedlings infected by basidiospores of *Cronartium quercuum* f. sp. fusiforme.** Schmidt, R. A.; Miller, T. Plant Disease 83(4):367-370. 1999.
164. **Integrated management of soil-borne pests in forest nurseries: a systems approach.** Juzwik, J.; Wallach, L.; Allmaras, R.; Irvine, M.; O'Brien, J. Annual international research conference on methyl bromide alternatives and emissions reductions, 1998, p.99-1 - 3. 1999.
165. **Macro- and microelement fertilizers influence the severity of *Fusarium* crown end root rot of tomato in a soilless production system.** Duffy, B. K.; Defago, G. HortScience 34(2):287-291. 1999.
166. **Methyl bromide update.** Lemons, C. National proceedings: Forest and Conservation Nursery Association - 1998, p.68. Landis, TD. and Barnett, J.P, ads. USDA Forest Service, Southern Research Station, General Technical Report SRS-25. 1999.
167. **Nematodes that work: using beneficials can help battle pests.** Gill, S. Nursery Management and Production 15(4):55-56, 58, 60-61. 1999.
168. **©Nursery practices influence comparative damage to juvenile blue gum by wallabies (*Wallabia bicolor*) and European rabbits (*Oryctolagus cuniculus*).** Marks, C. A.; Moore, S. J. Forest Ecology and Management 112(1-2):1-8. 1998.
169. **Preplant nursery soil additions of forest soils, commercial sewage and mushroom composts and Basamid (dazomet) to control the fungal pathogen, *Cylindrocladium scoparium*.** Hunter, B. B.; Lyons, M. T.; Bulluck, R.; Burd, A.; Gore, J. C. Annual international research conference on methyl bromide alternatives and emissions reductions, 1998, p.37-1 - 4. 1999.
170. **Prevent pest problems early.** Cloyd, R. Greenhouse Management and Production 19(3):55-56. 1999.
171. **Preventing white grub infestation in container-grown nursery stock.** Nielsen, D. G.; Cowles, R. S. Journal of Environmental Horticulture 16(4):202-207. 1998.

172. ©Resistance to benzimidazole and dicarboximide fungicides in greenhouse isolates of *Botrytis cinerea*. Yourman, L. F.; Jeffers, S. N. *Plant Disease* 83(6):569-575. 1999.

173. **Rhizoctonia aerial blight - a destructive nursery disease and its management.** Mehrotra, M. D. *Indian Forester* 124(8):637-645. 1998.

174. ©Susceptibility of different provenances of *Pinus sylvestris*, *Pinus contorta* and *Picea abies* to *Gremmeniella abietina*. Hansson, P. *European Journal of Forest Pathology* 28(1):21-32. 1998.

175. **Susceptibility of species of *Juglans* to pathogens of *Xanthomonas campestris*.** Belisario, A.; Zoina, A.; Pezza, L.; Luongo, L. *European Journal of Forest Pathology* 29(1):75-80. 1999.

Pesticides

176. **Herbicide labeling.** McNabb, K. National proceedings: Forest and Conservation Nursery Association - 1998, p.65-67. Landis, T.D. and Barnett, J.P, eds. USDA Forest Service, Southern Research Station, General Technical Report SRS-25. 1999.

177. **IR-4 crop pest management program.** Frank, J. R. National proceedings: Forest and Conservation Nursery Association - 1998, p.75-77. Landis, T.D. and Barnett, J.P, eds. USDA Forest Service, Southern Research Station, General Technical Report SRS-25. 1999. IR-4 was established in 1963 to obtain national pesticide registrations for use on food and fiber minor crops.

178. ©Sorption of fumigants to agricultural films. Papiernik, S. K.; Gan, J.; Knuteson, J. A.; Yates, S. R. *Environmental Science and Technology* 33(8):1213-1217. 1999.

179. **Techniques for assessing spray drift and canopy penetration in nurseries.** Zhu, H.; Krause, C. R.; Fox, R. D.; Brazee, R. D.; Derksen, R. C. American Society of Agricultural Engineers, Paper 97-5006. 19 p. 1997.

SO. **Hydraulic nozzles for boom sprayers.** Derksen, R. C. Northeast Regional Agricultural Engineering Service, FS-38. 6 p. 1994.

ORDER FROM: Northeast Regional Agricultural Engineering Service, Cooperative Extension, 152 Riley-Robb Hall, Ithaca, NY 14853-5701. (607) 255-7654.

Cost: \$1.50 + \$3.50 S&H.

SO. **Pesticide sprayers for small farms.** Ross, D. S. University of Maryland, Cooperative Extension Service, Bulletin 317. 24 p. 1990.

ORDER FROM: Northeast Regional Agricultural Engineering Service, Cooperative Extension, 152 Riley-Robb Hall, Ithaca, NY 14853-5701. (607)255-7654.

Cost: \$5.00 + \$3.50 S&H.

Seedling Physiology and Morphology

180. ©Applications of chlorophyll fluorescence techniques in postharvest physiology. DeEll, J. R.; van Kooten, O.; Prange, R. K.; Murr, D. P. *Horticultural Reviews* 23:69-107. 1999.

181. ©Carbon diode limitation of the photosynthesis of *Prunus avium* L. seedlings inside an unventilated treeshelter. Dupraz, C.; Bergez, J. E. *Forest Ecology and Management* 119(1-3):89-97. 1999.

182. ©Changes in water relations of *Eucalyptus nitens* nursery stock during and after lifting and transplanting. Wilson, S. J.; Clark, R. J. *New Forests* 16(3):199-211. 1998.

183. ©Diurnal changes in allocation and partitioning of recently assimilated carbon in loblolly pine seedlings. Kuehny, J. S.; Topa, M. A. *Physiologia Plantarum* 104(3):317-328. 1998.

184. ©The effect of reduced quantities of photosynthetically active radiation on *Fraxinus pennsylvanica* growth and architecture. Bartlett, G. A.; Remphrey, W. R. *Canadian Journal of Botany* 76(8):1359-1365. 1998.

185. ©Effects of elevated atmospheric CO₂ on phenology, growth and crown structure of Scots pine (*Pinus sylvestris*) seedlings after two years of exposure in the field. Jach, M. E.; Ceulemans, R. *Tree Physiology* 19(4/5):289-300. 1999.

186. ©Effects of far-red light on the growth, mycorrhizas and mineral nutrition of Scots pine seedlings. de la Rosa, T. M.; Aphalo, P. J.; Lehto, T. *Plant and Soil* 201(1):17-25. 1998.

187. **Effects of hormone-charged hydrophilic polymer on root regeneration in red oak and black gum transplants.** Al-Mana, F. A.; Beattie, D. J. *Acta Horticulturae* 429:459-466. 1996.

188. **Excessive rainfall prior to lifting adversely affects seedling physiology.** South, D. B.; Carey, W. A. National proceedings: Forest and Conservation Nursery Association - 1998, p.63-64. Landis, T.D. and Barnett, J.P, eds. USDA Forest Service, Southern Research Station, General Technical Report SRS-25. 1999.

189. ©Generalities in the growth, allocation and leaf quality responses to elevated CO₂ in eight woody species. Cornelissen, J. H. C.; Carnelli, A. L.; Callaghan, T. V. *New Phytologist* 141(3):401-409. 1999.

190. Impact of elevated CO₂ on physiology and needle morphology of Scots pine (*Pinus sylvestris*) seedlings. Jach, M. E.; Ceulemans, R. IN: Impacts of global change on tree physiology and forest ecosystems, p. 67-73. G.M.J. Mohren et al, eds. Kluwer Academic Publishers. 1997.

191. ©Incidence of autumn frost damage and lemmas growth in a 4-year-old clonal trial of Sitka spruce (*Picea sitchensis*) in Britain. Mboyi, W. M.; Lee, S. J. *Forestry* 72(2):135-146. 1999.

192. Lethal temperature coefficient - a new parameter for interpretation of cold hardiness. Gu, S. *Journal of Horticultural Science and Biotechnology* 74(1):53-59. 1999.

193. ©Limitations to seedling growth and survival by the quantity and quality of rooting apace: implications for the establishment of *Thuja occidentalis* on cliff faces. Matthes-Sears, U.; Larson, D. W. *International Journal of Plant Science* 160(1):122-128. 1999.

194. ©Photosynthesis, water and nitrogen use efficiencies of four paper birch (*Betula papyrifera*) populations grown under different soil moisture and nutrient regimes. Wang, J. R.; Hawkins, C. D. B.; Letchford, T. *Forest Ecology and Management* 112(3):233-244. 1998.

195. ©Plant epicuticular waxes: function, production, and genetics. Jenks, M. A.; Ashworth, E. N. *Horticultural Reviews* 23:1-68. 1999.

196. Response of *Pinus pinaster* Ait. provenances at early age to water supply. I. Water relation parameters. Fernandez, M.; Gil, L.; Pardos, J. A. *Annals of Forest Science* 56:179-187. 1999.

197. ©Seasonal patterns of photosynthetic light response in Douglas-fir seedlings subjected to elevated atmospheric CO₂ and temperature. Lewis, J. D.; Olszyk, D.; Tingey, D. T. *Tree Physiology* 19(4/5):243-252. 1999.

198. Seedling standards and the need for them. Kooistra, C.; Brazier, D. National proceedings: Forest and Conservation Nursery Association - 1998, p.111-115. Landis, T.D. and Barnett, J.P., eds. USDA Forest Service, Southern Research Station, General Technical Report SRS-25. 1999.

199. ©Selection of flood-tolerant *Populus deltoides* clones for reforestation projects in China. Cao, F. L.;

Conner, W. H. *Forest Ecology and Management* 117(1-3):211-220. 1999.

200. The shoot-to-root bond. Mathers, H. *American Nurseryman* 189(10):66-68, 70. 1999. Understanding the physiological and environmental processes involved in hardening woody plants can help growers improve plants' cold tolerance.

201. ©Spring changes in water relations, gas exchange, and carbohydrates of white spruce (*Picea glauca*) seedlings. Wang, Y.; Zwiazek, J. J. *Canadian Journal of Forest Research* 29(3):332-338. 1999.

Seeds

202. Alleviation of seed dormancy in white spruce (*Picea glauca* [Moench.] Voss.) is dependent on the degree of seed hydration. Downie, B.; Coleman, J.; Scheer, G.; Wang, B. S. P.; Jensen, M.; Dhir, N. *Seed Science and Technology* 26(3):555-569. 1998.

203. ©Analyses to determine the role of embryo immaturity in dormancy maintenance of yellow cedar (*Chamaecyparis nootkatensis*) seeds: synthesis and accumulation of storage proteins and proteins implies in desiccation tolerance. Xia, J. H.; Kermode, A. R. *Journal of Experimental Botany* 50(330):107-118. 1999.

204. ©Drying and storage of prechilled Douglas fir, *Pseudotsuga menziesii*, seeds. Muller, C.; Falleri, E.; Laroppe, E.; Bonnet-Masimbert, M. *Canadian Journal of Forest Research* 29(2):172-177. 1999.

205. ©Ecophysiological effects of light quality and nitrate on seed germination in species from Western Australia. Bell, D. T.; King, L. A.; Plummer, J. A. *Australian Journal of Ecology* 24(1):2-10. 1999.

206. ©Effect of acorn size on development of northern red oak 1-0 seedlings. Kormanik, P. P.; Sung, S. S.; Kormanik, T. L.; Schlarbaum, S. E.; Zarnoch, S. J. *Canadian Journal of Forest Research* 28(12):1805-1813. 1998.

207. ©Effects of storage conditions on dormancy and vigor of *Picea abies* seeds. Leinonen, K. *New Forests* 16(3):231-249. 1998.

208. ©Flowering and seed production of aspen in Scotland during a heavy seed year. Worrell, R.; Gordon, A. G.; Lee, R. S.; McInroy, A. *Forestry* 72(1):27-34. 1999.

209. ©Genetic control of germination and the effects of accelerated aging in mountain hemlock seeds and its relevance to gene conservation. El-Kassaby, Y. A.; Edwards, D. G. W. *Forest Ecology and Management* 112(3):203-211. 1998.
210. Germination of *Acer rubrum* seeds collected from wet and dry habitats. Anella, L. B.; Whitlow, T. H. *Seed Science and Technology* 26(3):755-762. 1998.
211. Germination of *Pinus pinaster*; *P. radiata* and *Eucalyptus globulus* in relation to the amount of ash produced in forest fires. Reyes, O.; Casal, M. *Annales des Sciences Forestieres* 55(7):837-845. 1998.
212. Influence of pretreatment and temperature on the germination of *Fraxinus angustifolia* seeds. Piotto, B.; Piccini, C. *Seed Science and Technology* 26(3):799-812. 1998.
213. The influence of stage of seed maturity, moisture content and storage temperature on the survival of neem (*Azadirachta indica*) seed in storage. Eeswara, J. P.; Allan, E. J.; Powell, A. A. *Seed Science and Technology* 26(2):299-308. 1998.
214. Longleaf pine seed presowing treatments: effects on germination and nursery establishment. Barnett, J. P.; Pickens, B.; Karrfalt, R. National proceedings: Forest and Conservation Nursery Association - 1998, p.43-46. Landis, T.D. and Barnett, J.P., eds. USDA Forest Service, Southern Research Station, General Technical Report SRS-25. 1999.
215. Planting the seeds of success. Pyle, A. R. *American Nurseryman* 189(3):52-54, 56, 58, 60. 1999. Growers can find success propagating perennials by seed using the proper protocols.
216. ©Predicting germination capacity of *Pinus sylvestris* and *Picea abies* seeds using temperature data from weather stations. Almqvist, C.; Bergsten, U.; Bondesson, L.; Eriksson, U. *Canadian Journal of Forest Research* 28(10):1530-1535. 1998.
217. Quality hardwood seed production. Delaney, J. E. National proceedings: Forest and Conservation Nursery Association - 1998, p.18-21. Landis, T.D. and Barnett, J.P., eds. USDA Forest Service, Southern Research Station, General Technical Report SRS-25. 1999.
218. Requirements for seed germination in North American pawpaw (*Asimina triloba* (L.) Dunal). Finneseth, C. H.; Layne, D. R.; Geneve, R. L. *Seed Science and Technology* 26(2):471-480. 1998.
219. ©Seed germination and seedling extension growth in *Ougeinia dalbergioides* Berth under water and salinity stress. Uniyal, R. C.; Nautiyal, A. R. *New Forests* 16(3):265-272. 1998.
220. ©Structures restricting passage of water in the mature seeds of yellow-cedar (*Chamaecyparis nootkatensis*). Tillman-Sutela, E.; Kauppi, A. *Canadian Journal of Botany* 76(8):1458-1466. 1998.
221. Treatments to improve germination of four multipurpose trees of central sub Himalaya. Airi, S.; Rawal, R. S.; Samant, S. S.; Dhar, U. *Seed Science and Technology* 26(2):347-354. 1998.
222. ©Variation of red oak acorn production. Healy, W. M.; Lewis, A. M.; Boose, E. F. *Forest Ecology and Management* 116(1-3):1-11. 1999.
- SO. Seeds: ecology, biogeography, and evolution of dormancy and germination. Baskin, C. C.; Baskin, J. M. Academic Press. 666 p. 1998. Contents: Ecological meaningful germination studies; Types of seed dormancy; Germination ecology of seeds with nondeep physiological dormancy; Germination ecology of seeds with morphophysiological dormancy; Germination of seeds with physical dormancy; Germination ecology of seeds in the persistent seed bank; Causes of within-species variations in seed dormancy and germination characteristics; A geographic perspective on germination ecology: tropical and subtropical zones; Biogeographical and evolutionary aspects of seed dormancy.

ORDER FROM: Publisher or your favorite book seller.

Cost: \$99.95

Soil Management and Growing Media

223. Air-filled porosity of eight growing media based on sphagnum peat during drying from container capacity. Heiskanen, J. *Acta Horticulturae* 450:277-286. 1997.
224. Coconut husk and processing effects on chemical and physical properties of coconut coir dust. Konduru, S.; Evans, M. R.; Stamps, R. H. *HortScience* 34(1):88-90. 1999.
225. Efficacy of a hydrophilic polymer declines with time in greenhouse experiments. Al-Harbi, A. R.; Al-Omran, A. M.; Shalaby, A. A.; Choudhary, M. I. *HortScience* 34(2):223-224. 1999.
226. ©Experiences with the utilization of wastes in nursery potting mixes and as field soil amendments. Chong, C. *Canadian Journal of Plant Science* 79(1):139-148. 1999.

227. ©Hydrological properties of container media based on sphagnum peat and their potential implications for availability of water to seedlings after outplanting. Heiskanen, J. Scandinavian Journal of Forest Research 14(1):78-85. 1999.

228. Physical and chemical properties of coir waste and their relation to plant growth. Noguera, P.; Abaci, M.; Puchades, R.; Noguera, V.; Maquieira, A.; Martinez, J. Acta Horticulturae 450:365-369. 1997.

229. Sawdust as an alternative to peat moss media for cucumber seedlings production in greenhouses. Sawan, O. M M.; Eissa, A. M. Acta Horticulturae 434:127-137. 1996.

230. Tensiometric monitoring of container substrate moisture status. Testezlaf, R.; Larsen, C. A.; Yeager, T. H.; Zazueta, F. S. HortTechnology 9(1):105-109. 1999.

231. Your growing media: determining the physical properties is important. Jacques, D. J.; Adams, R.; Dorman, V. Ferry, S.; Morgan, N. Greenhouse Management and Production 19(4):47-48. 1999. Describes the moisture squeeze test and the drainage rate test.

Tropical Forestry and Agroforestry

232. Advantages of raising teak (*Tectona grandis*) plantations by using root trainer plants. Khedkar, M. H. Indian Forester 125(2):133-136. 1999.

233. Drying method and subsequent desiccation tolerance and longevity of immature seeds of cedro (*Cedrela odorata* L. - Meliaceae). Lima, M. J. V.; Ellis, R. H.; Hong, T. D.; Ferraz, I. D. K. Seed Science and Technology 26(3):813-822. 1998.

234. Effect of fungicides on colonization and development of VAM in *Dalbergia sissoo*. Jamaluddin; Chandra, K. K.; Kumar, R. Indian Forester 124(8):658-662. 1998.

235. Effect of photon irradiance and fertilizer levels on the growth of *Shorea leprosula* stock plants and the rooting ability of their subsequent stem cuttings. Aminah, H.; Dick, J. M.; Grace, J. Journal of Tropical Forest Science 11(1):79-99. 1999.

236. Effect of temperature, media and fungicide on the storage behavior of *Hopea parviflora* seeds. Sunilkumar, K. K.; Sudhakara, K. Seed Science and Technology 26(3):781-797. 1998.

237. Effects of irradiance and spectral quality on the seedling development of Jelutong (*Dyera costulata*). Lee, D.

W.; Oberbauer, S. F.; Krishnapillay, B.; Haris, M.; Marzalina, M.; Yap, S. K. Journal of Tropical Forest Science 11(1):132-147. 1999.

238. Effects of nitrogen source and aluminum on growth of tropical tree seedlings adapted to low pH soils. Watanabe, T.; Osaki, M.; Tadano, T. Soil Science and Plant Nutrition 44(4):655-666. 1998.

239. The effects of various pretreatments on the germination of important leguminous shrub-tree species of the Sultanate of Oman. Sacheti, U.; Al-Rawahy, S. H. Seed Science and Technology 26(3):691-699. 1998.

240. ©Growth stimulation of *Acacia mangium* Wild by *Pisolithus* sp. in some Senegalese soils. Duponnois, R.; Ba, A. M. Forest Ecology and Management 119(1-3):209-215. 1999.

241. Improvement of planting stock through caving in root trainer nursery. Rao, G. M.; Rao, A. R.; Acharyulu, M. V. S. N.; Prasad, N. S. Indian Forester 124(9):739-742. 1998.

242. ©A low-cost method of mycorrhizal inoculation improves growth of *Acacia tortilis* seedlings in the nursery. Munro, R. C.; Wilson, J.; Jefwa, J.; Mbuthia, K. W. Forest Ecology and Management 113(1):51-56. 1999.

243. ©Mortality and growth of cut pieces of viviparous mangrove (*Rhizophora apiculata* and *R. mucronata*) seedlings in the gird condition. Komiyama, A.; Tanapermpool, P.; Havanond, S.; Maknual, C.; Patanaponpaiboon, P.; Sumida, A.; Ohnishi, T.; Kato, S. Forest Ecology and Management 112(3):227-231. 1998.

244. Optimization of in-vitro seed germination and seedling growth of *Acacia* species. Phillips, S.; Dewan, A.; Nanda, K.; Gupta, S. C. Winrock International, Forest, Farm, and Community Tree Research Reports 3:26-28. 1998.

245. A preliminary study to tailor planting stock suitable to sodic soils. Garg, V. K. Indian Forester 124(11):945-951. 1998.

246. ©Production of planting stock from wildings of four *Shorea* species. Adjers, G.; Hadengganan, S.; Kuusipalo, J.; Otsamo, A.; Vesa, L. New Forests 16(3):185-197. 1998.

247. Propagating neem (*Azadirachta indica*) by air-layering. Gupta, V. K.; Solanik, K. R.; Kumar, R. V.; Datta, A. Winrock International, Forest, Farm, and Community Tree Research Reports 3:29-31. 1998.

248. Rationales and practices of mangrove afforestation. Field, C. Marine and Freshwater Research 49(4):353-358. 1998.

249. **Seed characteristics and germination of a 'shola' forest tree: *Bhesa indica* (Bedd.) Ding Hon.** Kumar, K. K.; Chacko, K. C. *Indian Forester* 125(2):206-211. 1999.

250. **Seed germination of Chinese tallow tree (*Sapium sebiferam*).** Siril, E. A.; Dhar, U.; Dhyani, P. P. *Winrock International, Forest, Farm, and Community Tree Research Reports* 3:55-58. 1998.

Vegetative Propagation and Tissue Culture

251. **The discipline of forest tree propagation.** Wilson, P. J. *Southern African Forestry Journal* 183:47-52. 1998.

252. **©The effects of collection date, IBA, plant gender, nutrient availability, and rooting volume on adventitious root and lateral shoot formation by *Salix planifolia* stem cuttings from the Ungava Bay area (Quebec, Canada).** Houle, G.; Babeux, P. *Canadian Journal of Botany* 76(10):1687-1692. 1998.

253. **Growing interior spruce (*Sx*) somatic seedlings in the nursery.** Summers, D.; Calam, C. *National proceedings: Forest and Conservation Nursery Association - 1998*, p.119-121. Landis, T.D. and Barnett, J.P., eds. USDA Forest Service, Southern Research Station, General Technical Report SRS-25. 1999.

254. **Establishing a protocol for commercial micropropagation of *Acacia mangium* x *Acacia auriculiformis* hybrids.** Yusoff, A. M.; McKellar, D.; Zainudin, F.; Khafidz, H. A.; Ismail, H. *Journal of Tropical Forest Science* 11(1):148-156. 1999.

255. **In vitro in vacuo.** Wilson, P. J. *Southern African Forestry Journal* 183:53-58. 1998.

256. **©Inoculation of micropropagated plantlets of *Eucalyptus tereticornis* with ectomycorrhizal fungi.** Reddy, M. S.; Satyanarayana, T. *New Forests* 16(3):273-279. 1998.

257. **©Nursery rooting and growth of loblolly pine cuttings: effects of rooting solution and full-sib family.** Frampton, L. J., Jr.; Goldfarb, B.; Surles, S. E.; Lambeth, C. C. *Southern Journal of Applied Forestry* 23(2):108-115. 1999.

258. **Propagation of *Taxus baccata* Linn. by stem cuttings.** Mitter, H.; Sharma, A. *Indian Forester* 125(2):159-162. 1999.

259. **The right solution.** Sibley, J. *American Nurseryman* 189(9):52-55. 1999. A basic understanding of how to mix liquid hormones properly can save money and deliver propagating success.

260. **Use of vegetative propagates in reforestation in B.C.** Wigmore, B. G.; Russell, J. H. *National proceedings: Forest and Conservation Nursery Association - 1998*, p.116-118. Landis, T.D. and Barnett, J.P., eds. USDA Forest Service, Southern Research Station, General Technical Report SRS-25. 1999.

261. **Vegetative propagation of aspen, narrowleaf cottonwood, and riparian trees and shrubs.** Dreesen, D. R.; Harrington, J. T. *National proceedings: Forest and Conservation Nursery Association - 1998*, p.129-137. Landis, T.D. and Barnett, J.P., eds. USDA Forest Service, Southern Research Station, General Technical Report SRS-25. 1999.

262. **Vegetative propagation of *Panax* species (ginseng) in Arunachal Pradesh.** Rao, A. N.; Haridasan, K.; Bisht, N. S. *Indian Forester* 124(9):702-704. 1998.

Water Management and Irrigation

263. **Conserving water: how O.F. Nelson and Sons practices efficient irrigation by using drip and gray water.** Davis, T. *Greenhouse Management and Production* 19(2):27, 29. 1999.

264. **©Greenwater treatment for the green industries: opportunities for biofiltration of greenhouse and nursery irrigation water and runoff with constructed wetlands.** Berghage, R. D.; MacNeal, E. P.; Wheeler, E. F.; Zachritz, W. H. *HortScience* 34(1):50-54. 1999.

265. **Innovation in the horticulture nursery industry.** Woodske, D. *National proceedings: Forest and Conservation Nursery Association - 1998*, p.144-146. Landis, T.D. and Barnett, J.P., eds. USDA Forest Service, Southern Research Station, General Technical Report SRS-25. 1999. Discusses ways to reduce level of chemicals leached from nursery stock, collection and re-use of nursery runoff, the threat of disease spread with recirculation, and slow sand filtration.

266. **Spring recovery of constructed wetland plants affects nutrient removal from nursery runoff.** Arnold, M. A.; Lesikar, B. J.; Kenimer, A. L.; Wilkerson, D. C. *Journal of Environmental Horticulture* 17(1):5-10. 1999.

267. **Water-saving strategies.** Mathers, H. *American Nurseryman* 189(8):52-54, 56, 58-59. 1999. Several cultural practices can conserve water in the landscape and assist in the growing of water-resistant plants.

268. **What you should know about water quality for woody plants.** Mathers, H. *Nursery Management and Production* 15(1):73-77. 1999.

269. **Zero the hero.** Uva, W. F. L.; Weiler, T. C.; Milligan, R. A. *Greenhouse Grower* 17(1):158, 160. 1999. Reasons why growers are adopting zero-runoff subirrigation systems. First of a 3 part series.

270. **Zero the Hero.** Uva, W. F.; Weiler, T. C.; Milligan, R. A. *Greenhouse Grower* 17(2):68, 70. 1999. Zero-runoff subirrigation systems are well-liked, money- and labor-saving devices. Second of a 3 part series.

271. **Zero the hero.** Uva, W. F. L.; Weiler, T. C.; Milligan, R. A. *Greenhouse Grower* 17(3):44, 47, 48, 50. 1999. How to make wise investments in zero-runoff subirrigation systems. Third of a 3 part series.

Weed Control

272. ©Allelopathic interference of chickweed, *Stellaria media* with seedling growth of wheat (*Triticum aestivum*). Inderjit; Dakshini, K. M. M. *Canadian Journal of Botany* 76(7):1317-1321. 1998.

273. ©Bioefficacy and leaching of controlled-release formulations of triazine herbicides. Stork, P. R. *Weed Research* 38(6):433-441. 1998.

274. Chloropicrin with metam-sodium and Eptam for nutsedge control and the production of southern pine seedlings. Carey, W. A. Annual international research conference on methyl bromide alternatives and emissions reductions, 1998, p.32-1 - 2. 1999.

275. Effect of chloropicrin, vapam, and herbicides for the control of purple nutsedge in southern pine seedbeds. Carey, W. A.; South, D. B. National proceedings: Forest and Conservation Nursery Association - 1998, p.39-40. Landis, T.D.

and Barnett, J.P., eds. USDA Forest Service, Southern Research Station, General Technical Report SRS-25. 1999.

276. **Efficiency of an optically controlled sprayer for controlling weeds in fallow.** Wicks, G. A.; Felton, W. L.; Murison, R. D.; Hanson, G. E.; Nash, P. G. *Weed Technology* 12(4):638-645. 1999.

277. ©Five-year performance of three conifer stock types on fine sandy loam soils treated with hexazinone. Pitt, D. G.; Krishka, C. S.; Bell, F. W.; Lehela, A. *Northern Journal of Applied Forestry* 16(2):72-81. 1999.

278. **Propazine has little effect on growth of several containerized woody plant species.** Cole, J. C. *HortTechnology* 9(2):198-202. 1999.

279. ©Response of planted ponderosa pine seedlings to weed control by herbicide in western Montana. Uzoh, F. C. C. *Western Journal of Applied Forestry* 14(1):48-52. 1999.

280. ©Three-year survival and growth of Douglas-fir seedlings under various vegetation-free regimes. Rose, R.; Ketchum, J. S.; Hanson, D. E. *Forest Science* 45(1):117-126. 1999.

281. ©Vector competition analysis of black spruce seedling responses to nutrient loading and vegetation control. Imo, M.; Timmer, V. R. *Canadian Journal of Forest Research* 29(4):474-486. 1999.

282. **Weed ecology and ethics.** Radosevich, S. *Weed Science* 46(6):642-646. 1999.

283. **Weeds and you: proper application, knowledge of herbicides essential.** Miller, C. *Nursery Management and Production* 15(1):60-62, 64-65. 1999.

NON SEQUITUR

